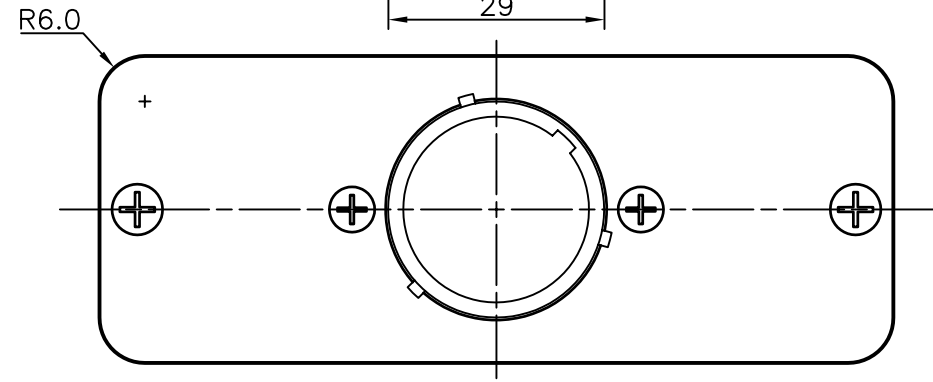
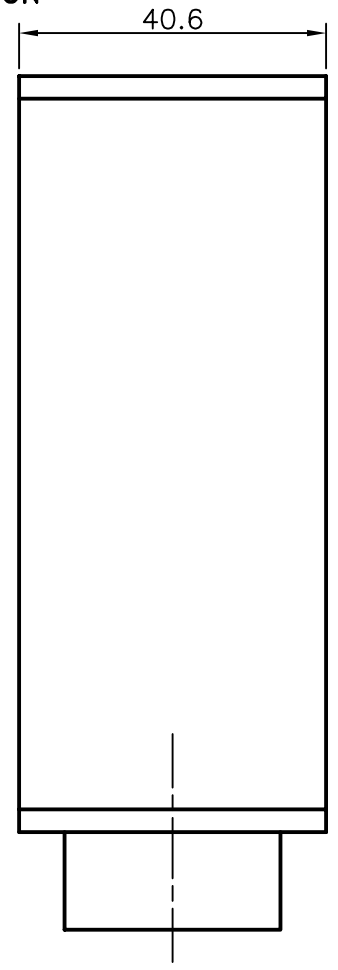
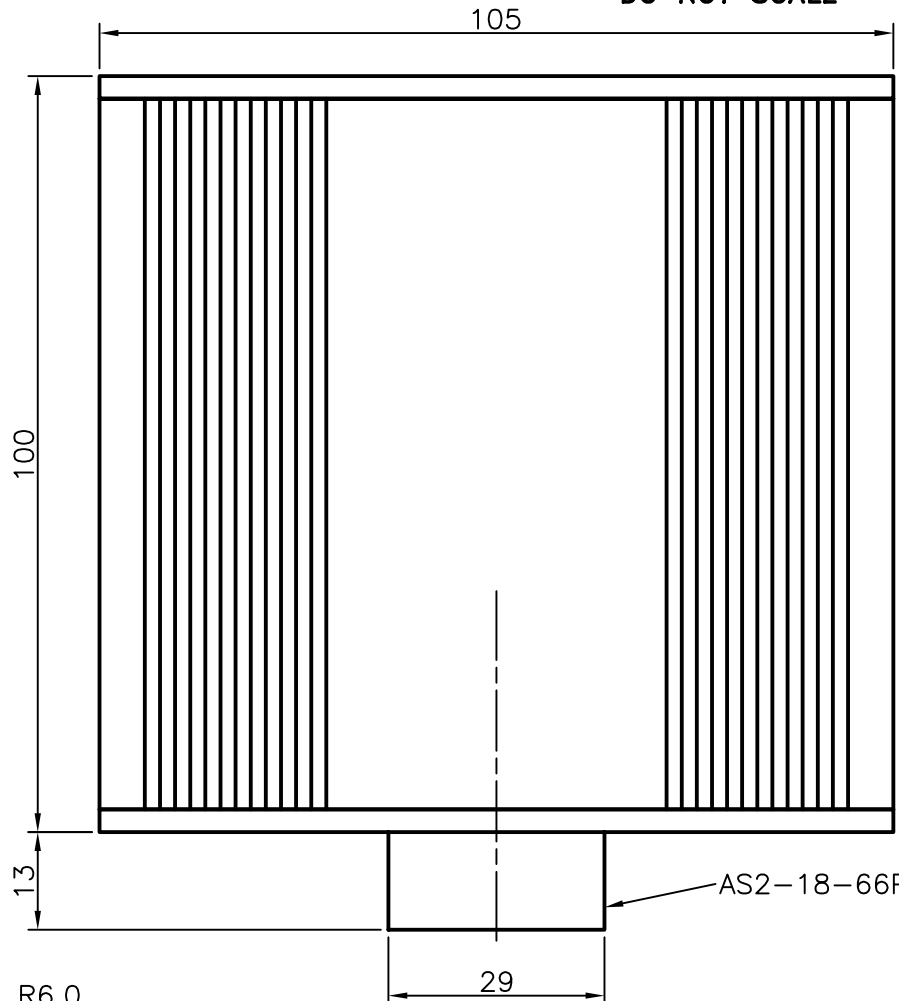


DO NOT SCALE - THIRD ANGLE PROJECTION



AS2-18-66PN Connector

R6.0

MoTeC		PTY.LTD.	
TITLE: E816 Outline	DRAWN: KMH	DATE: 20.2.07	
	APPRD:	DATE:	
MATERIAL:	SCALE: 1 : 1	SHEET 1 OF 1	
FINISH:	DRG. No.		REV.
GEN. TOL. ±	±	SIZE A4	816-03 B