



900 °C EXHAUST GAS TEMPERATURE SENSOR



The R900 EGT sensor allows high temperature measurement up to 900 degrees Celcius without the need for thermocouple amplifiers.

► WIRING

- Connect to any AT input

#58057 Sensor Pin	Display/Logger Pin	ECU Pin
A: +Signal	AT Input	AT Input
B: Common	Sensor 0V	Sensor 0V

Refer to the Display Logger or ECU Manual for pin numbers. All user manuals are available from:

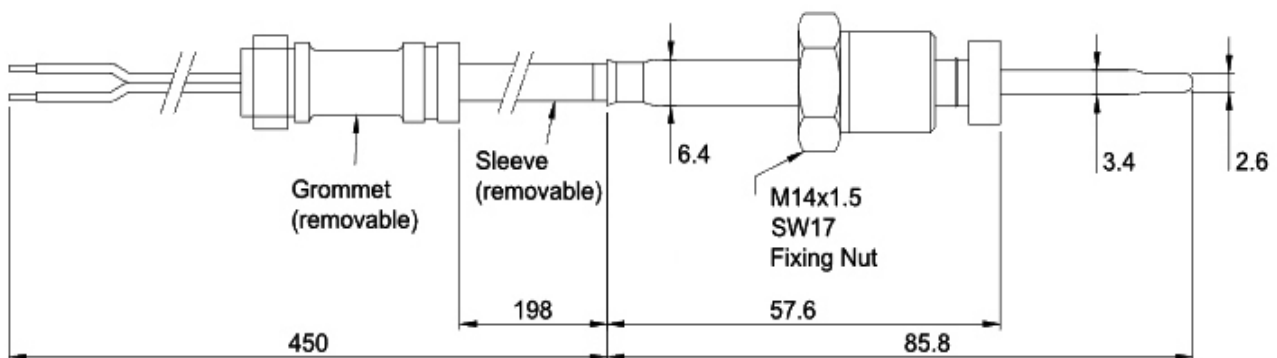
www.motec.com.au/downloads

► CALIBRATION

Load the **VW1065-EWE NTK** Calibration File or use the following **Manual Calibration**:

°C	100	150	200	250	300	350	400	450	500	550	600	650	700	750	800	820	840	860	880	900	950
V	4.985	4.945	4.839	4.626	4.278	3.777	3.198	2.615	2.099	1.670	1.330	1.062	0.861	0.703	0.582	0.538	0.502	0.469	0.440	0.410	0.388

► DIMENSIONS (mm)



► SPECIFICATIONS

Temperature Range

- -40 °C to 900 °C

Electrical

- Supply current 8 mA max, 4 mA typical
- Output – Variable resistance

Compatibility

- All MoTeC ECUs
- All MoTeC Display Loggers/Loggers

Accessories

- EGT (R900) mild steel M14x1.5 weld-in fitting #59016