



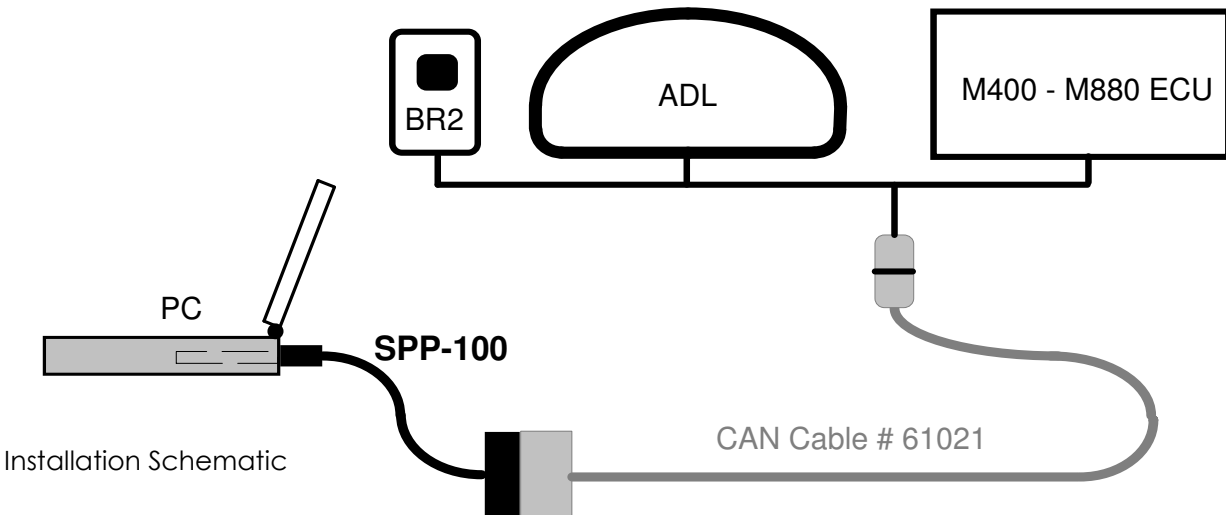
Document Number		CPB0001	
Title		PCMCIA to Parallel Port Adaptor	
Approved By		Keith Turner	
Revision	Date	Prepared By	Change History
A	20/07/2004	Daniel Sadique	

Product News

MoTeC P/L now stocks a PCMCIA card to Parallel Port adaptor, MoTeC Part Number #61093. The SPP-100 model adaptor allows Desktop and Laptop computers **without** a 25 pin parallel or printer port to connect to any MoTeC product requiring communications via a CAN cable.



MoTeC #61093 PCMCIA to Parallel Port Adaptor (SPP-100)



Installation Schematic

Installation

The installation of the SPP-100 on Windows 95, 98, 2000/Me and XP based systems includes a configuration file provided on the distribution disk. This configuration file supports the SPP-100 in both standard printer port mode and EPP mode.

To install a SPP-100 parallel port adaptor into a Windows system, follow the instructions contained on the installation CD.

Installing an SPP-100 with Windows.

1. Insert the SPP-100 into any available PC Card socket.
2. The first time a new PC Card type is installed the **New Hardware Found** window opens. Windows will automatically detect and configure the card. If this device is not detected, refer to the Installation Disk Help.

Windows Installation Problems

Windows does not assign a LPT number to SPP-100:

After initial installation or any configuration changes of the SPP-100, Windows may fail to assign a logical LPT number to the parallel port. The solution to this problem is to shut down and restart Windows with the SPP-100 installed.

How do I change the LPT port number assigned to the SPP-100?

Windows enumerates the SPP-100 to the first available LPT port number available at the time of initial installation. Changing the I/O address or IRQ settings of the SPP-100 does not affect the LPT port number. Also, changes in the configuration of other LPT ports on the computer do not affect the LPT port number assigned to the SPP-100 by Windows. The solution to this problem is to use Windows Device Manager and "Remove" the SPP-100 adapter from the system. This action clears the registry of all entries and configurations for the SPP-100. When the SPP-100 is installed again, the first available LPT port number will be assigned.

Pricing AUD (including GST)

Part Number	Description	Price - AUD inc GST
61093	ADAPTOR, PCMCIA TO PARALLEL PORT CARD	Contact MoTeC for details

Should you have any further queries regarding this bulletin, do not hesitate to contact MoTeC support.

Ph: +61 3 9761 5050

Fax: +61 3 9761 6627

Email: support@motec.com.au