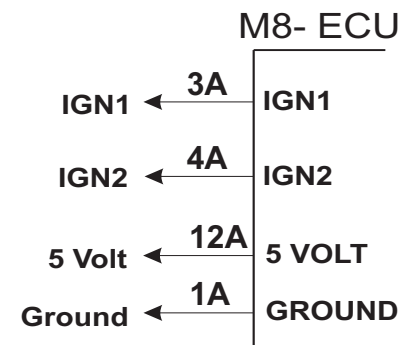
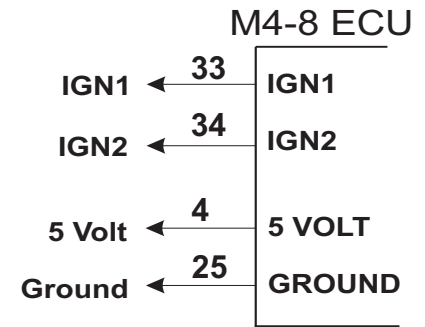
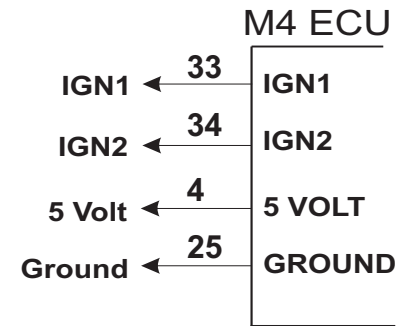
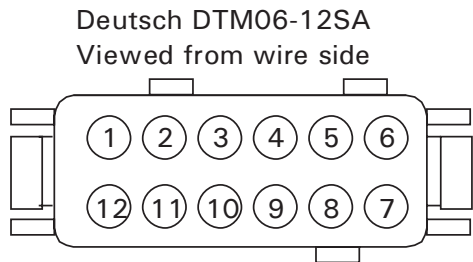


Note 1: Some Tacho's may require a 1K pullup resistor to 12 volts.
Note 2: If the RPM limit type is set to Ignition Cut, the tacho will read incorrectly when the RPM limit value is reached.



MoTeC

Title Ignition Combiner					Sheet No	Drawing No
Date	21/09/1999	Drawn	ST	App	AD	Products ECU
					1 of 1	A10