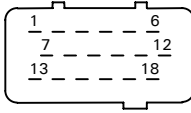
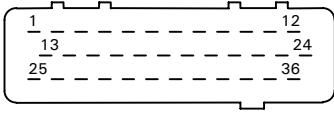
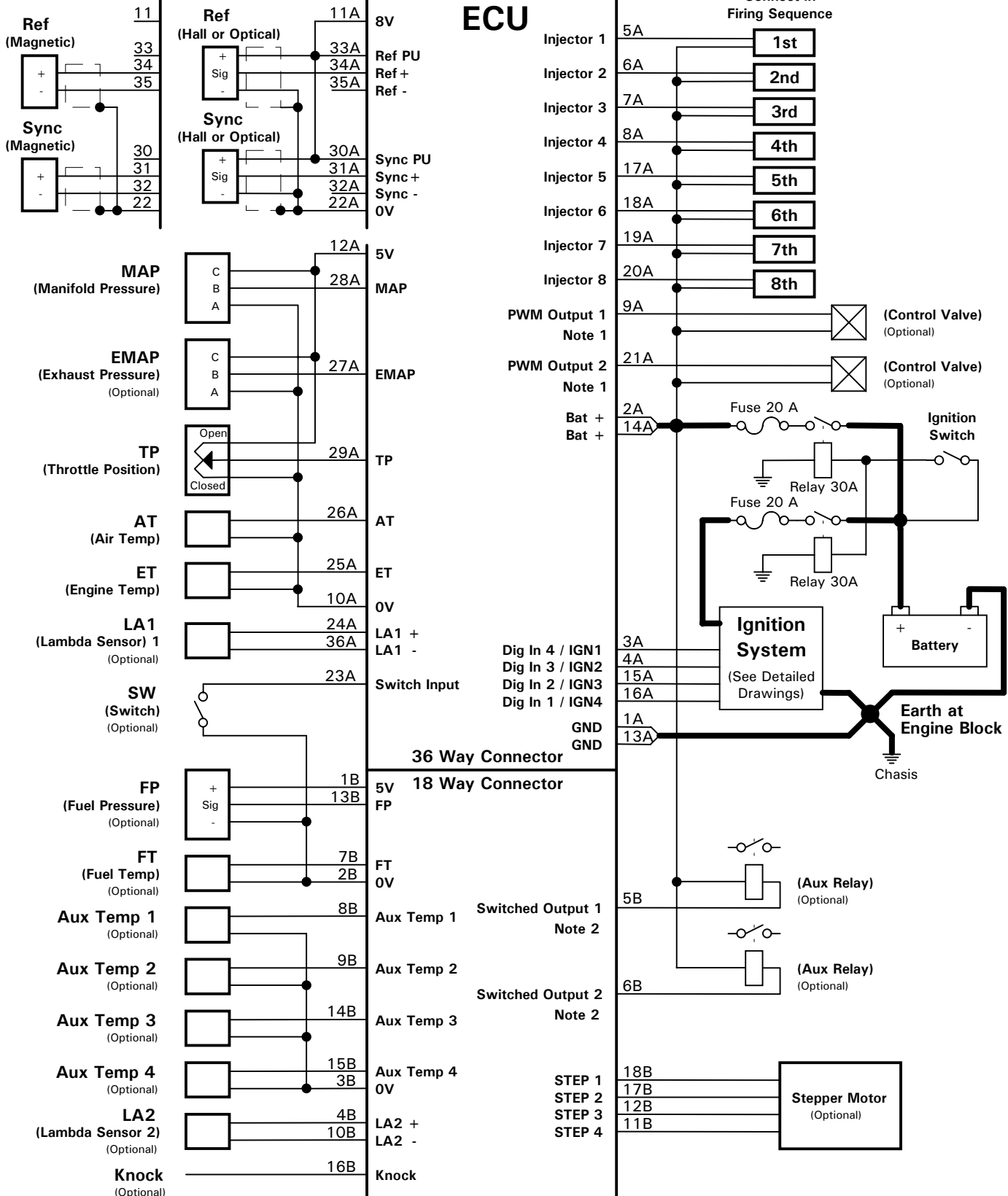


See the Trigger Drawings for details

### Sensors

### Injectors



**Note 1**  
The PWM1, and PWM2 Outputs can sink a maximum current of 4 Amps.

**Note 2**  
The Switched Output 1 and Switched Output 2 can sink a maximum current of 2 Amps.