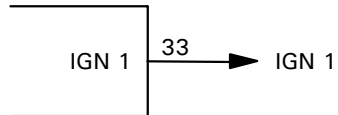
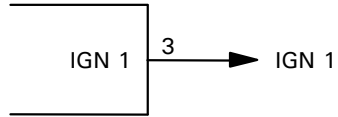


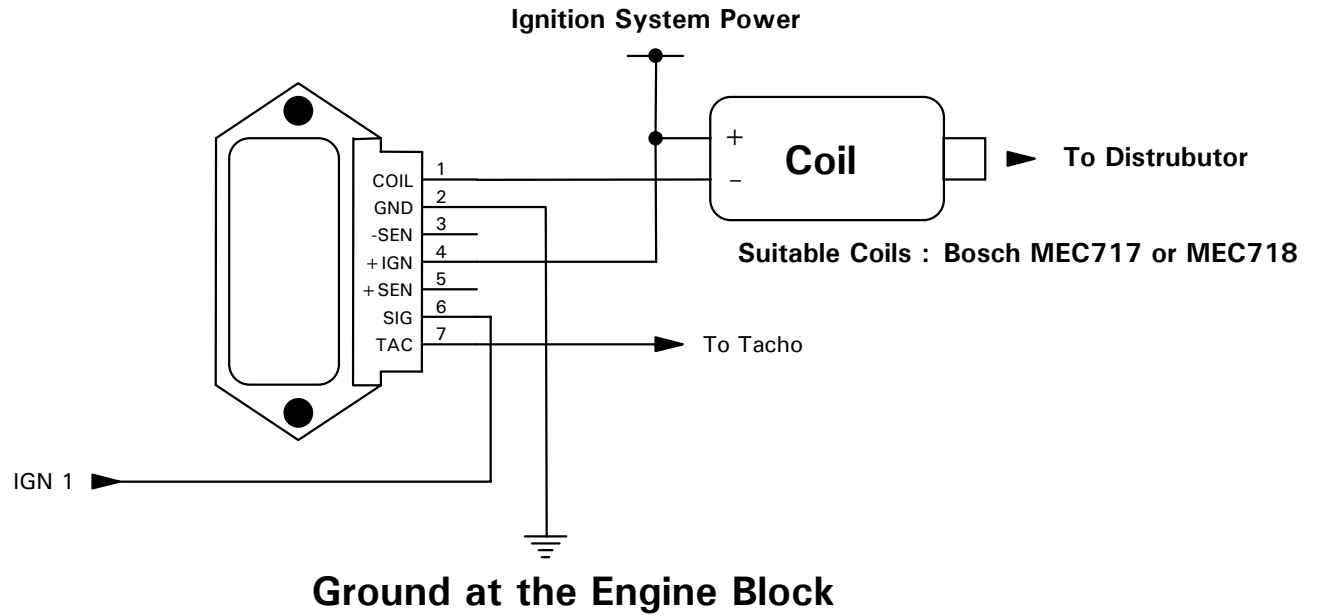
**M4 - ECU**



**M8 - ECU**



**Note** 2 Modules cannot be driven in parallel by the M8 ECU



**Note**

For Multi coil use refer to drawings numbers : M4/M8 - M02, M03 & M04

**Note 1**

The Setup Parameter dELL is dependant on the coil. Refer to the Information for the particular coil.

Typically a value of 3.0 is suitable for normal coils. For small coil on plug coils a value of 1.8 is typical.

**Important** Using an incorrect value may cause overheating of the ignition module or a weak spark

<b>Setup</b>	ign	1
	COIL	1
	dELL	Note 1

<b>MoTeC</b>	<b>Title Bosch Module 1227 022 008</b>			Sheet No	Drawing No
	Date 26/9/1995	Drawn TW	App	Rev C	<b>M4/M8</b>
					<b>M11</b>