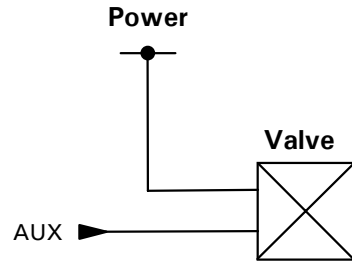
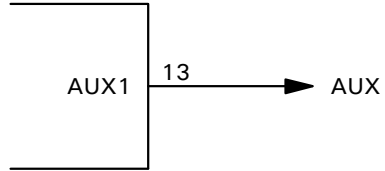
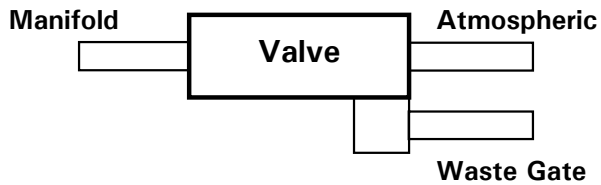
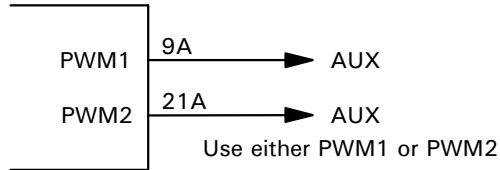


M4 - ECU

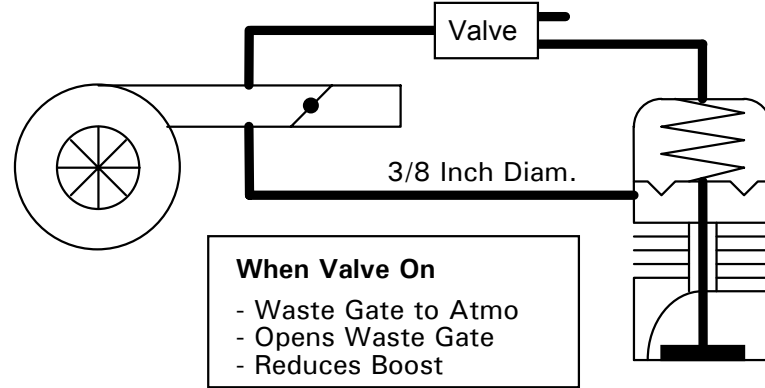


M8 - ECU

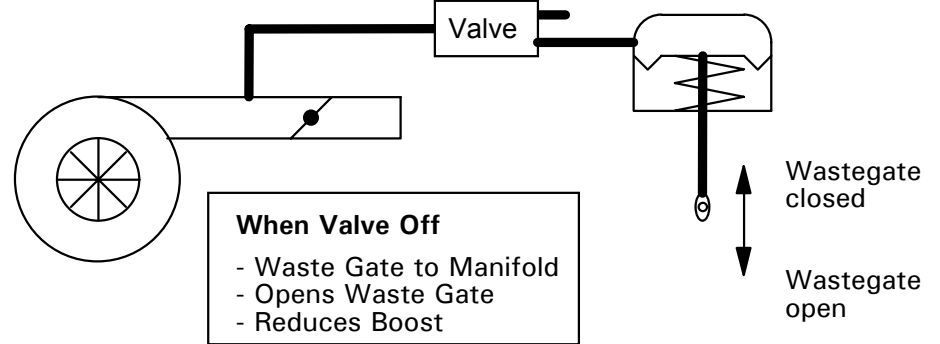


Off Waste Gate to Manifold
On Waste Gate to Atmospheric

Poppet Type Waste Gate



Flap Type Waste Gate



Output Function	Boost Control
------------------------	---------------

Boost Control Parameters	Type	2 or 4 for Poppet Type 1 or 3 for Flap Type
	Min Duty	10
	Max Duty	85
	Frequency	20

Coil Resistance : 22 Ohms

MoTeC

Title **Delco (3 Way) Boost Control Valve**

Date 30/8/1995 Drawn TW App Rev A

Sheet No
M4/M8

Drawing No
V14